

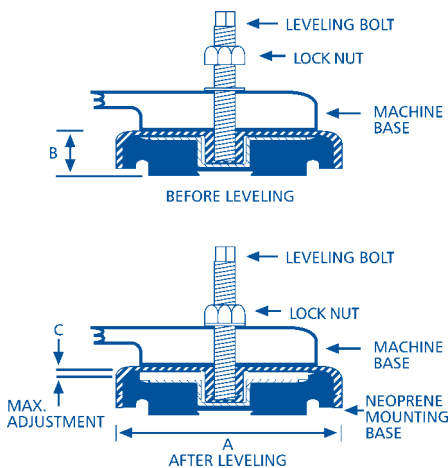


# MACHINE LEVELLING MOUNTS

## MACHINE TOOL SERIES WITH INTERNAL LEVELLING

### PRODUCT FEATURES

- Designed for loads from 125kg to 11,500kg
- Effective isolation vertically and horizontally
- Reduces transmission of noise and vibration
- Threaded adjustment for accurate levelling
- Oil resistant neoprene mounting base
- No ground anchor bolt required
- Low cost isolation solution



### SPECIFICATIONS

**SAMPLE SELECTION**

$\frac{11,100 \text{ kg machine weight}}{6 \text{ mounting points}} = 1,850 \text{ kg per mounting pt.}$

Referring to the table below, select the mount with a max capacity above this figure. In this example **MTS4 2000kg**

For impact machinery, use next larger size.

Type Mount	Base Diam. A	Max. Load	Bolt Size (Diam. x Lg)	Base Height B	Max. Adj. C
MTS 1	40 mm	125 kg	M5 x 30	15 mm	5 mm
MTS 2	80 mm	450 kg	M10 x 80	25 mm	8 mm
MTS 3	120 mm	1,150 kg	M12 x 100	32 mm	12 mm
MTS 4	160 mm	2,000 kg	M16 x 120	35 mm	12 mm
MTS 5	185 mm	4,500 kg	M20 x 160	39 mm	12 mm
MTS 6	229 mm	7,500 kg	M24 x 180	54 mm	12 mm
MTS 7	315 mm	11,500 kg	M30 x 200	70 mm	12 mm

Ensure the bolt diameter is a clearance fit on the machine foot. Longer bolts are available on request.

### TYPICAL APPLICATIONS

- Punch Presses
- Drills
- Injection Moulders
- Lathes
- Pumps
- Guillotines
- Millers
- Forge Pressers
- Compressors



# FAX BACK ORDER

Name .....

Company .....

Address .....

.....

Postcode .....

Telephone .....

Fax .....

Email .....

Date .....

Order Number .....

Machine Make .....

Machine Model .....

Number of Mounting Points .....

Delivery Date Reqd. ....

Special Request .....

.....

Product	Quantity	Price exc VAT	Total
<b>MTS1</b>	<input type="text"/>	<input type="text"/>	<input type="text"/>
<b>MTS2</b>	<input type="text"/>	<input type="text"/>	<input type="text"/>
<b>MTS3</b>	<input type="text"/>	<input type="text"/>	<input type="text"/>
<b>MTS4</b>	<input type="text"/>	<input type="text"/>	<input type="text"/>
<b>MTS5</b>	<input type="text"/>	<input type="text"/>	<input type="text"/>
<b>MTS6</b>	<input type="text"/>	<input type="text"/>	<input type="text"/>
<b>MTS7</b>	<input type="text"/>	<input type="text"/>	<input type="text"/>

**Payment Details**

Visa       Mastercard

Card Number

Expiry Date

/

Name on card

.....

Carriage

Sub Total

VAT

**TOTAL**