

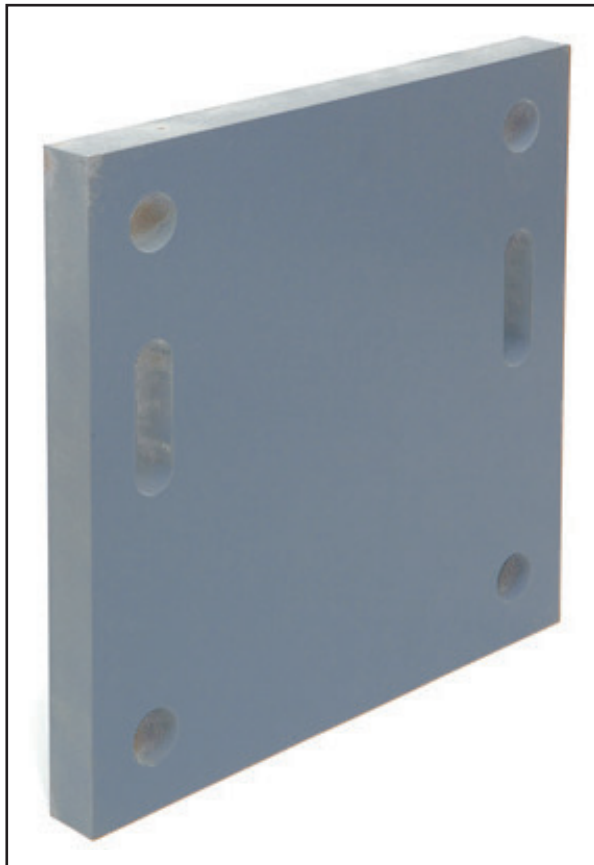
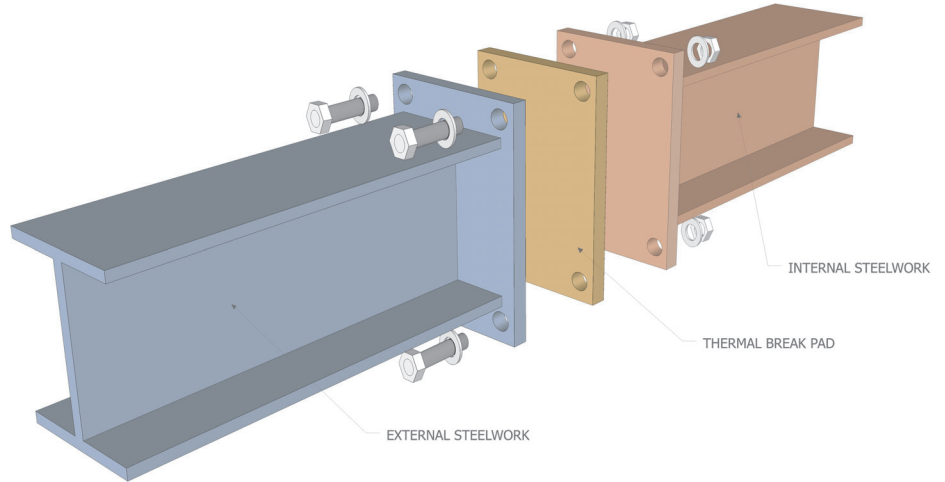
Thermal Break Pads

Armatherm™ Grade GF - Medium Strength, High Performance



INTRODUCTION

Armatherm™ GF Grade Thermal Break Pads deliver high performance thermal insulation between interior and exterior steelwork and / or concrete to prevent thermal bridging. Cutting out thermal bridging stops conduction heat loss and prevents surface condensation from forming inside the building that can be due to cold transfer meeting warm air.



Specifications of Armatherm™ Grade GF

| | |
|--|--------------------------|
| Maximum Loading Pressure N/mm ² | 103 |
| Strain at Maximum Pressure | 10% |
| Compressive Modulus N/mm ² | 2600 |
| Shear Strength N/mm ² | 75 |
| Standard Thickness | 13mm, 19mm, 25mm, & 50mm |
| Density Kg/M ³ | 1300 |
| Thermal Conductivity W/m ² K | 0.196 |
| Minimum Operating Temp °C | -30 |
| Maximum Operating Temp °C | 82 |

For comparison, the thermal conductivity of Mild Steel is 56 W/m²K



■ See Frequently Asked Questions (FAQ) for more information on this product and Thermal Bridging.

Optional Extra

Bolt, Bush and Washer Kits.
See Details Over Leaf.



Washer and Bushing

With a bolt through insulation pad there is the possibility of a slight thermal transfer along the connecting bolt.

For the majority of installations this can be ignored, however this effect can be reduced with the addition of Insulation washers and bushing.

In extreme applications (e.g. Swimming Pools), to prevent condensation on the bolt head, a polyurethane nut cap can be supplied to effectively screen this cold surface from the internal environment.



BUSHING DETAIL

| Bolt Size | Hole In Pad | Bushing ID | Bushing OD | Hole in Structure | Bushing Length (Standard) |
|-----------|-------------|------------|------------|-------------------|---------------------------|
| M12 | 14 | 14 | 20 | 20 | 10 |
| 1/2" | 0.55" | 0.55" | 3/4" | 3/4" | 0.375" |
| M16 | 18 | 18 | 24 | 24 | 13 |
| 5/8" | 0.70" | 0.70" | 1.0" | 1.0" | 0.50" |
| M20 | 22 | 22 | 28 | 28 | 13 |
| 3/4" | 0.86" | 0.86" | 1.10" | 1.10" | 0.50" |
| M24 | 26 | 26 | 32 | 32 | 17 |
| 1" | 1.05" | 1.05" | 1.25" | 1.25" | 0.625" |

WASHER DETAIL

| Bolt Size | Washer ID | Washer OD | Thickness |
|-----------|-----------|-----------|-----------|
| M12 | 14 | 30 | 6 |
| 1/2" | 0.55" | 1.18" | 0.25" |
| M16 | 18 | 40 | 6 |
| 5/8" | 0.7" | 1.57" | 0.25" |
| M20 | 22 | 47 | 6 |
| 3/4" | 0.86" | 1.85" | 0.25" |
| M24 | 26 | 50 | 6 |
| 1" | 1" | 2.00" | 0.25" |

